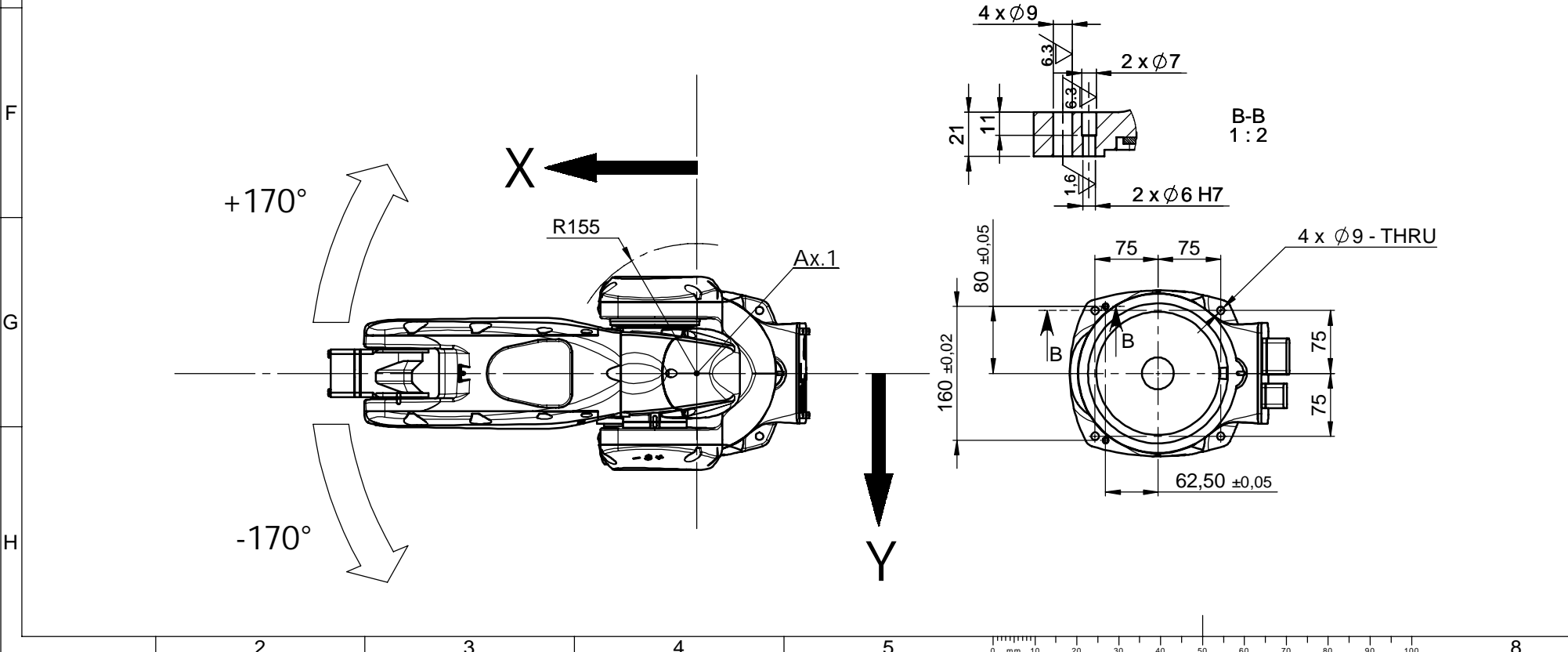


POS.	X [mm]	Z [mm]	AX.2 [deg]	AX.3 [deg]
1	180	247,606	+46,62°	-155°
2	180	-129,87	+135°	-65,61°
3	460,12	-45,12	+135°	-9,28°
4	-527,79	314,45	-95°	-9,28°
5	-275	36,57	-95°	+65,31°
6	-275	174,28	-66,13°	+90°
7	-195,83	650,60	-95°	-108,56°
			+13,56°	+90°
8	20,98	537,74	-95°	-155°
9	355,94	685	0°	-90°

Ax.1	Ax.2	Ax.4	Ax.3	Ax.5	Ax.6
0°	0°	0°	-90°	0°	0° (Ax.5= -118°)



A	First emission	A	MALAJ	CINGANO	10/06/2021
INDEX	DESCRIPTION	REVISION N.	AUTHOR	CHECKER	DATE
REVISIONS					
General surface texture	Material	Author	Malaj	Creation date	22/03/2021
√ Ra -	Heat treatment	Checker	-	Released date	-
Surface quality as per UNI ISO 1302 specification, where not differently specified	Hardness	Scale	1:5	Sheet N.	1/1
Undimensioned edges	Surface treatment	Developed with CAD system software DO NOT MAKE MANUAL CHANGES			
- x 45°	Overall coarse dimensions	Geometric and position tolerances as per ISO 1101			
All details must be free of burrs and sharp edges which may be detrimental to satisfactory assembly, safe handling, or function	Weight (Kg)	Dimensions without specified tolerances must follow standard ISO 2768-mK			
-	Casting model number	Safety has been given consideration in this design			
This drawing is the property of COMAU S.p.A. and must not be used or copied without their permission		Spare part code	Manufacturing specifications		
		N			
DESCRIPTION					
WORKING AREA Racer5-0.63 SE PLUG					
DRAWING NUMBER				Customer drawing number	
CR82462000-LWA-00				-	
				Supplier drawing number	
				-	